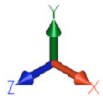
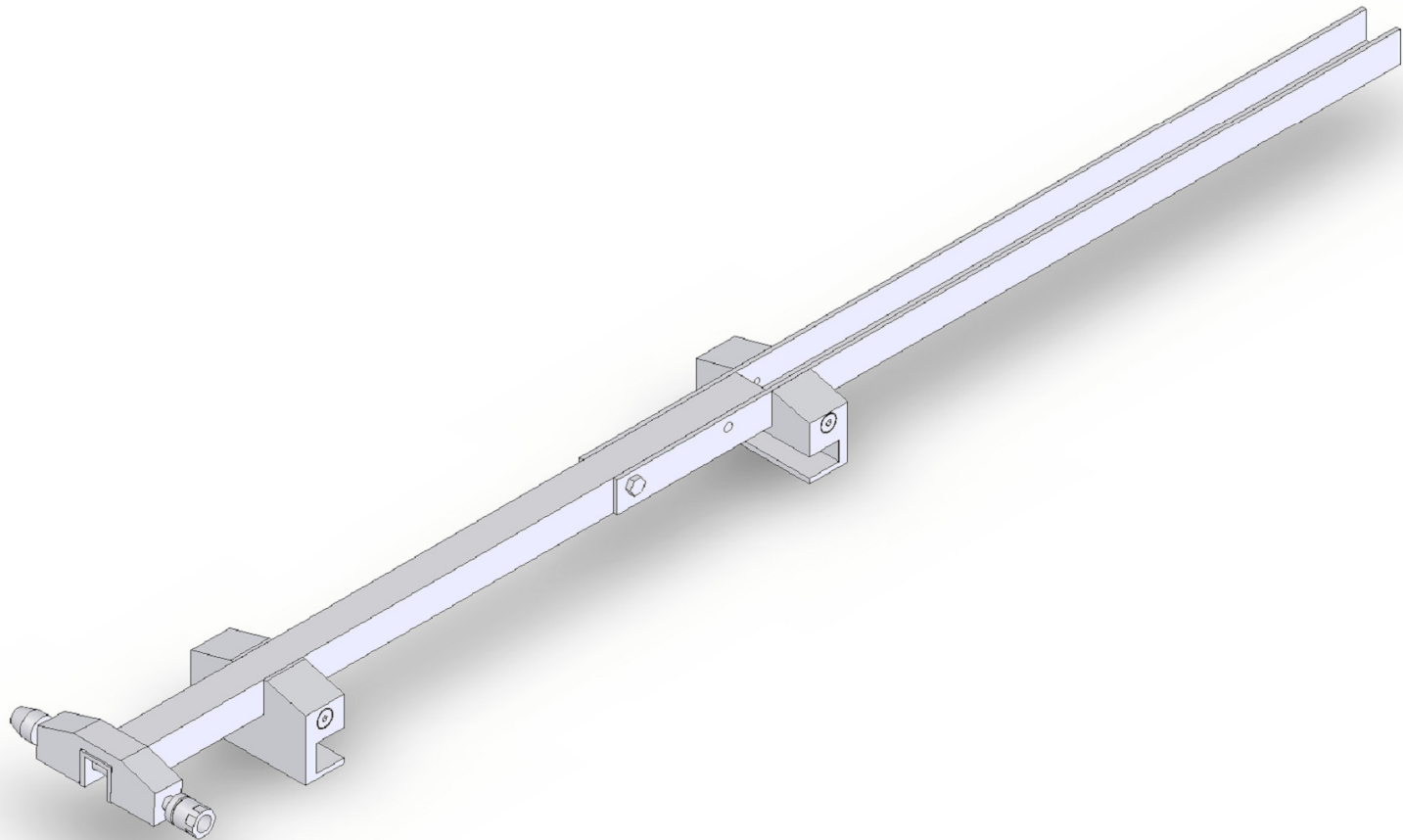
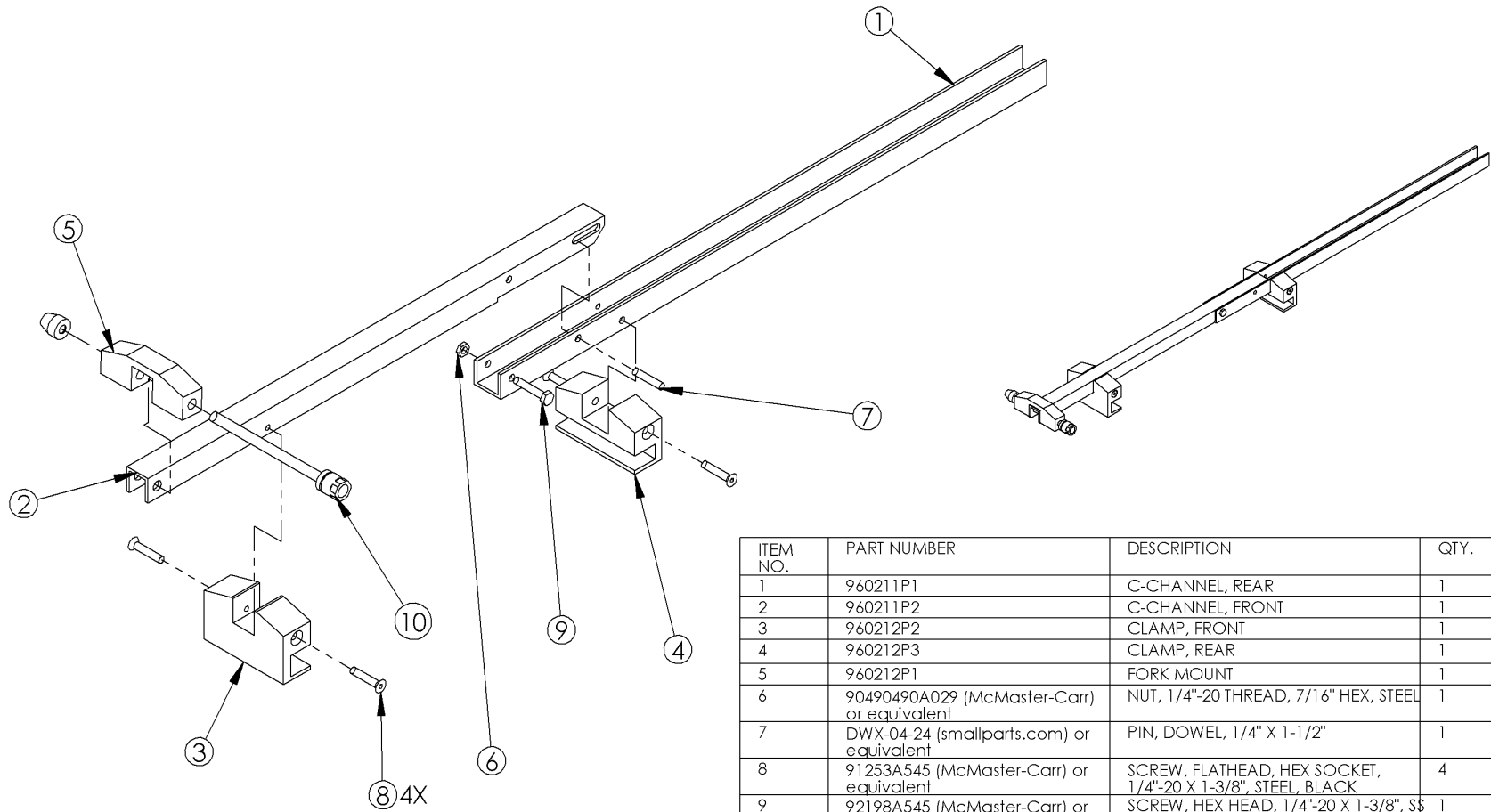


SolidWorks Model of MGB Bicycle Rack





ITEM NO.	PART NUMBER	DESCRIPTION	QTY.
1	960211P1	C-CHANNEL, REAR	1
2	960211P2	C-CHANNEL, FRONT	1
3	960212P2	CLAMP, FRONT	1
4	960212P3	CLAMP, REAR	1
5	960212P1	FORK MOUNT	1
6	90490490A029 (McMaster-Carr) or equivalent	NUT, 1/4"-20 THREAD, 7/16" HEX, STEEL	1
7	DWX-04-24 (smallparts.com) or equivalent	PIN, DOWEL, 1/4" X 1-1/2"	1
8	91253A545 (McMaster-Carr) or equivalent	SCREW, FLATHEAD, HEX SOCKET, 1/4"-20 X 1-3/8", STEEL, BLACK	4
9	92198A545 (McMaster-Carr) or equivalent	SCREW, HEX HEAD, 1/4"-20 X 1-3/8", SS	1
10	NS-BOS (Nashbar) or equivalent	SKEWER, BOLT-ON, 100mm, SILVER	1

PROPRIETARY AND CONFIDENTIAL
 THE INFORMATION CONTAINED IN THIS DRAWING IS THE SOLE PROPERTY OF <INSERT COMPANY NAME HERE>. ANY REPRODUCTION IN PART OR AS A WHOLE WITHOUT THE WRITTEN PERMISSION OF <INSERT COMPANY NAME HERE> IS PROHIBITED.

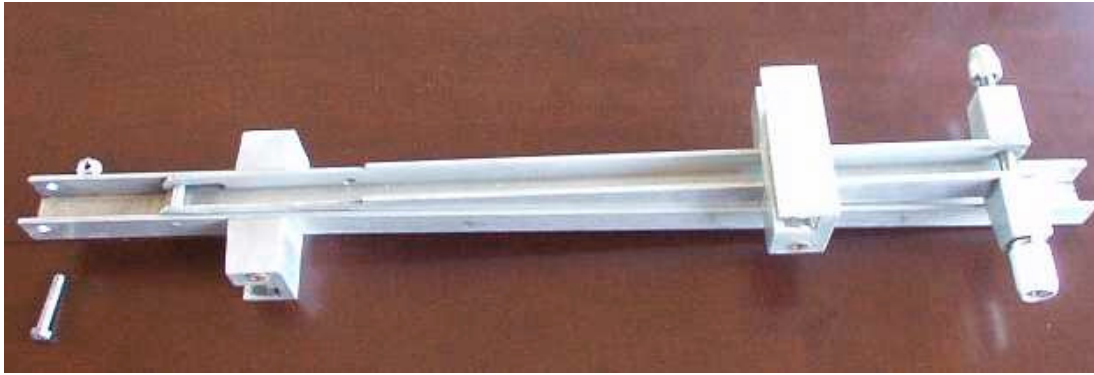
		UNLESS OTHERWISE SPECIFIED:	NAME	DATE
		DIMENSIONS ARE IN mm [INCHES]	DRAWN	Felix Wong Aug 21 '06
		TOLERANCES: ANGULAR: MACHINE ± .5 deg BEND ± 1 deg ONE PLACE DECIMAL ± .50 [.020] TWO PLACE DECIMAL ± .25 [.010]	CHECKED	
			ENG APPR.	Felix Wong Aug 21 '06
			MFG APPR.	
			Q.A.	
		MATERIAL SEE BOM ABOVE	COMMENTS:	
NEXT ASSY	USED ON	FINISH ---		
APPLICATION		DO NOT SCALE DRAWING		

Horsetooth Design LLC

TITLE:
MGB BICYCLE RACK

SIZE	DWG. NO.	REV
A	960314A1	A

SCALE: 1:20 WEIGHT: 1.5 kg SHEET 1 OF 1



Functional Prototype

Setup Time: <1 minute

